

Aquaseal Butterfly & Check Valves



Authorised Stockists:-

Oriental Trading Co.

3575, Netaji Subhash Marg

Daryaganj, New Delhi - 110 002

Ph : 011-23278849, 23279588, 23268849, 23269588

email : sales@orientalgroup.co.in | sales@orientalvalves.com



L&T Valves

L&T Valves Limited (formerly Audco India Limited) is a wholly-owned subsidiary of L&T and one of the largest valve manufacturers in the world.

The company has three modern manufacturing facilities, in Chennai (Manapakkam), Coimbatore and Kancheepuram, in Tamil Nadu, India. The company leverages its world-class capabilities in design, quality assurance and manufacturing to ensure that their products consistently meet customer expectations.

Product Range:

- Gate, Globe & Check Valves
- Valves for Power
- Pipeline & Process Ball Valves
- Triple-offset Butterfly Valves
- Flanged and Wafer-type Butterfly & Check Valves
- Double Block and Bleed Plug Valves
- Control Valves
- Customised Solutions

Designs for the valves are created by an experienced team of valve experts who have a deep understanding of user-industry processes. An extensive manufacturing and quality assurance infrastructure ensure that world-class designs are transformed into high performance products. Every phase of manufacturing is governed by an institutionalised environment, health and safety policy.

L&T Valves distribution network spans the globe, partnering some of the largest valve distribution companies in the world. In India, L&T Valves has a presence in every industrial centre through a network of offices, stockists, automation centres and service franchisees.



Aquaseal Butterfly & Check Valves

L&T Valves manufactures a comprehensive range of Butterfly & Check Valves. The range primarily addresses water treatment and distribution systems, power plants, utility lines, fire water lines and HVAC.

The products portfolio comprises:

- **Aquaseal** Integrally-moulded Butterfly Valve in PN 10
- **Aquaseal Plus** Integrally-moulded Butterfly Valve in Class 150
- **Aquaseal Max** Large-size Fabricated Steel Butterfly Valve
- **Aquaseal Chek** Dual-plate Check Valve
- **Aquaseal FabChek** Fabricated Steel Check Valve

The versatile range is available in various body styles, materials, and actuation options to suit customer requirements.

Aquaseal Integrally-moulded Butterfly Valve - PN 10

Body Style	Pressure Rating	2	2.5	3	4	5	6	8	10	12	14	16	18	20	24
		50	65	80	100	125	150	200	250	300	350	400	450	500	600
Wafer	PN 10	•	•	•	•	•	•	•	•	•	•	•	•	•	•

Aquaseal Plus Integrally-moulded Butterfly Valve - Class 150

Body Style	Pressure Rating	2	2.5	3	4	5	6	8	10	12	14	16	18	20	24	26	28	32	36
		50	65	80	100	125	150	200	250	300	350	400	450	500	600	650	700	800	900
Wafer	Class 150	•	•	•	•	•	•	•	•	•	•	•	•	•	•				
Lugged		•	•	•	•	•	•	•	•	•	•	•	•	•	•				
Flanged							•	•	•	•	•	•	•	•	•	•	•	•	•

Aquaseal Chek Dual-plate Check Valve

Body Style	Pressure Rating	2	2.5	3	4	5	6	8	10	12
		50	65	80	100	125	150	200	250	300
Wafer	PN 10	•	•	•	•	•	•	•	•	•
	PN 16	•	•	•	•	•	•	•	•	•
	Class 125	•	•	•	•	•	•	•	•	•

Aquaseal Max Large-size Fabricated Steel Butterfly Valve

Aquaseal FabChek Fabricated Steel Check Valve

Body Style	Pressure Rating	Size
Flanged, Fabricated	PN 6	Available in sizes up to 120" (3000 mm)
	PN 10	
	PN 16	

AND FIREWATER LINES, PROCESS PLANTS AND POWER PLANTS...



16 Aquaseal Max

20 Aquaseal Chek

22 Aquaseal FabChek



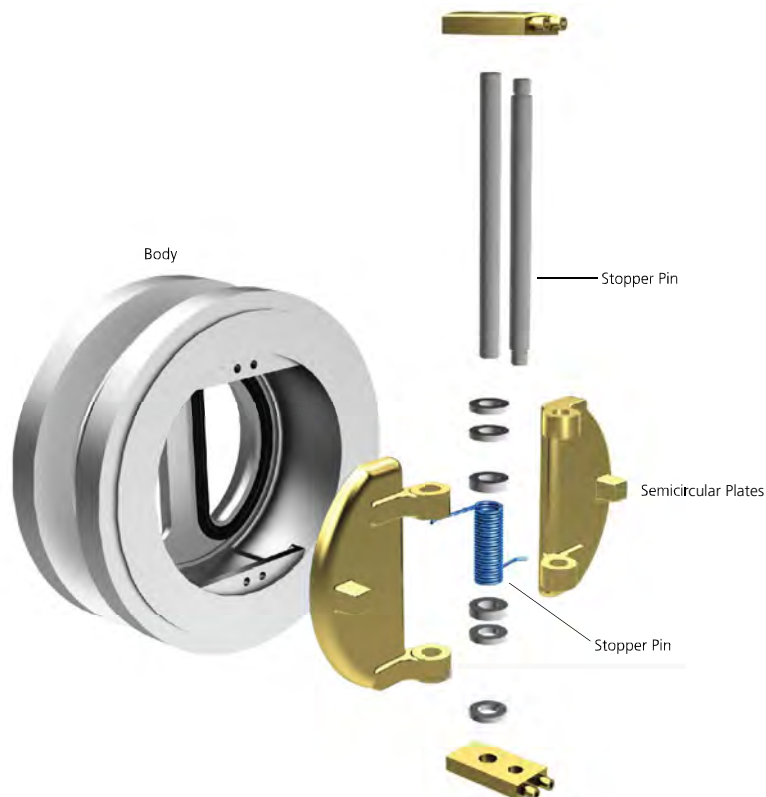
Aquaseal Chek Dual-plate Check Valve

Aquaseal Chek Valve is a soft-seated dual-plate check valve that conforms to API 594. The valve with cast iron body is available in sizes 2" (50 mm) to 8" (200 mm), in PN 10, PN 16 and ASME Class 125 pressure ratings.



Features & Benefits

- Patented retainer-less design - High integrity sealing, facilitates quick disassembly at site.
- Two independent seats - Consistent sealing even in uneven flow.
- Raised profile of the soft seat enhances sealing.
- Stopper pin prevents the discs from coming into contact with each other and thus prevents disc damage. The stopper pin also prevents spring failure by ensuring that the discs don't travel beyond the full-open position.
- For sizes 6" and above, lifting eyebolt option is provided.
- Drain connections provided on demand.

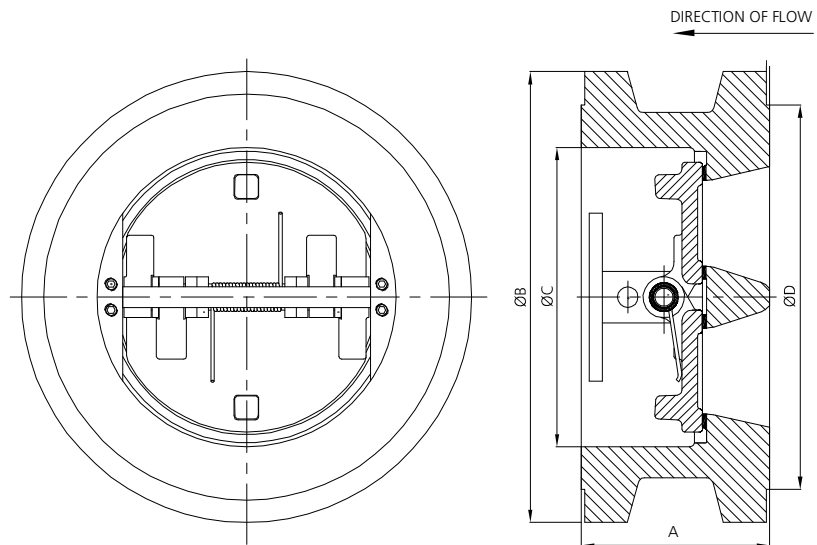


Compliance Standards

Parameter		Standard
Valve Design		API 594
Pressure Testing	PN 10 & PN 16	EN 12266 Part 1
	Class 125	API 598
End connection	PN 10 & PN 16	EN 1092
	Class 125	ASME B16.1
Face-to-Face	Class 125	API 594

Materials of Construction

Components	Materials
Body	Cast Iron BS 1452 Gr. 200
Seat	EPDM
Plate	Stainless Steel A 217 Gr. CA15
Bracket	Stainless Steel A 240 Type 410
Hinge Pin	Stainless Steel A 276 Type 410
Stopper Pin	Stainless Steel A 276 Type 410
Bearing Washer	Stainless Steel A 276 Type 410
Spring	Stainless Steel SS 316
Spring Spacer	Stainless Steel A 276 Type 410
Set Screw	Stainless Steel A 276 Type 316
Identification Plate	Steel



Dimensions

Valve Size		A	B	C	D	Weight
NPS	DN					
2	50	54	109	64	99	4
3	80	67	144	92	132	7
4	100	67	164	116	156	10
6	150	95	220	172	211	16
8	200	127	275	221	266	27

All dimensions in mm and weights in kg

Aquaseal FabChek Fabricated Steel Check Valve

Aquaseal Fab Chek Fabricated Steel Check Valve compliments Aquaseal Max Large-size Fabricated Steel Butterfly in water distribution systems and power plants. The valve is fabricated from carbon steel plates, and body and disc seats are hard-faced using 13% Cr steel.

Smooth closure of the valve is ensured by using a counter weight. The valve can be supplied with hydraulic dash pot to prevent disc slamming and water hammer. Automated Fab Chek can also be used as combined shut-off and non-return valve on pump discharge lines.

The valve is available in PN 6, PN 10 and PN 16 pressure ratings, with flanged ends.

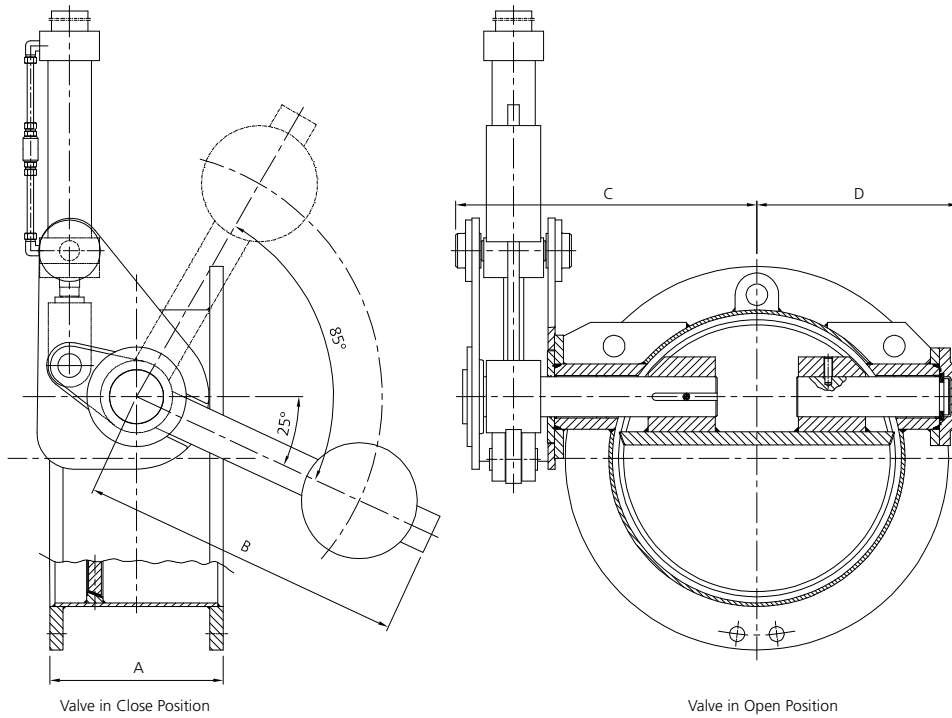


Compliance Standards

Parameter	Standard
Valve Design	Manufacturer's Standard
Leakage Rate Seat Testing	DIN 3230 Leakage Class 3
Face-to-Face	DIN 3202 F4
Flange Drilling	DIN 2501
Wall Thickness	Meets AD Merkblatter & IS 2825

Materials of Construction

Components	Materials
Body	Carbon Steel IS 2062 Gr. B with 13% Chromium Steel on Seating Surface
Disc	Carbon Steel IS 2062 Gr. B with 13% Chromium Steel on Seating Surface
Top Shaft	Stainless Steel AISI 410
Bottom Shaft	Stainless Steel AISI 410
Bearings	Phosphor Bronze
Shaft Seals	Nitrile Rubber 'O' Rings
Bottom Cover	Cast Iron IS 210 Gr. FG 260 or Carbon Steel IS 2062 Gr. B
Bolting (internal)	Stainless Steel AISI 304
Bolting (External)	Carbon Steel IS 1367 Gr. 8.8



Dimensions - PN 10

Valve Size		A	B	C	D	Weight
NPS	DN					
12	300	270	400	375	240	210
14	350	290	510	480	275	300
16	400	310	540	510	305	380
18	450	330	540	550	355	420
20	500	350	610	580	355	450
24	600	390	660	665	430	730
26	650	410	660	715	460	760
28	700	430	725	740	500	795
30	750	450	900	805	300	860
32	800	470	900	835	560	900
36	900	510	1050	850	615	960
40	1000	550	1220	970	650	1070

Dimensions - PN 16

Valve Size		A	B	C	D	Weight
NPS	DN					
12	300	270	450	425	240	240
14	350	290	540	490	310	310
16	400	310	610	560	315	325
18	450	330	610	560	360	385
20	500	350	660	650	425	450
24	600	390	725	700	440	585
26	650	410	900	775	520	690
28	700	430	1050	805	535	760
30	750	450	1050	825	555	835
32	800	470	1050	835	560	900
36	900	510	1050	850	650	1150
40	1000	550	1220	970	705	1300

All dimensions in mm and weights in kg. Please contact us for dimension details of valves in other sizes.